



**John
BOOS**
Since 1887

ITEM #: _____ QTY: _____
 MODEL #: _____
 PROJECT NAME: _____

011719

3601 S. Banker St. Effingham, IL 62401 • P.O. BOX 609 • Ph: (888) 431-2667 • Fax: (800) 433-2667

"E1S8" - 1 COMPARTMENT "E-SERIES" SINKS

W/ GALVANIZED LEGS



FEATURES:

- 18GA STAINLESS STEEL
- TYPE 300 STAINLESS STEEL WITH #4 POLISH, SATIN FINISH
- 12" AND 14" DEEP BOWLS
- ALL CORNERS, BOTH VERTICAL AND HORIZONTAL, COVED AT 3/4" RADIUS
- BOTTOMS OF BOWLS FORMED FOR DRAINAGE TO 3-1/2" DIAMETER DIE STAMPED OPENING
- FULL LENGTH 9-3/4" HIGH BOXED BACKSPLASH, WITH 2" RETURN TO WALL AT 45 DEGREE AND 1" TILE EDGE
- 1-1/8" FAUCET HOLES IN BACKSPLASH
- ALL OUTSIDE CORNERS OF ASSEMBLY ARE BULLNOSED TO PROVIDE SAFE, CLEAN, AND POLISHED EDGE
- STANDARD GALVANIZED LEGS 1-5/8" DIAMETER

CONSTRUCTION:

- TOP: STAINLESS STEEL SINKS ARE TIG WELDED, EXPOSED WELDS ARE POLISHED TO MATCH ADJACENT SURFACE
- BASE: GALVANIZED STEEL

MATERIAL:

- BOWLS & TOP: 18GA TYPE 300 STAINLESS STEEL WITH #4 POLISH, SATIN FINISH
- LEGS: 1-5/8" ROUND O.D. GALVANIZED STEEL
- GUSSETS: GALVANIZED STEEL
- FEET: 1" PLASTIC BULLET FEET

12" DEEP - 1 COMP SINK - 18GA

MODEL	BOWL SIZE (W, X L, X D)	QTY
E1S8-1620-12	20" X 16" X 12"	
E1S8-18-12	18" X 18" X 12"	

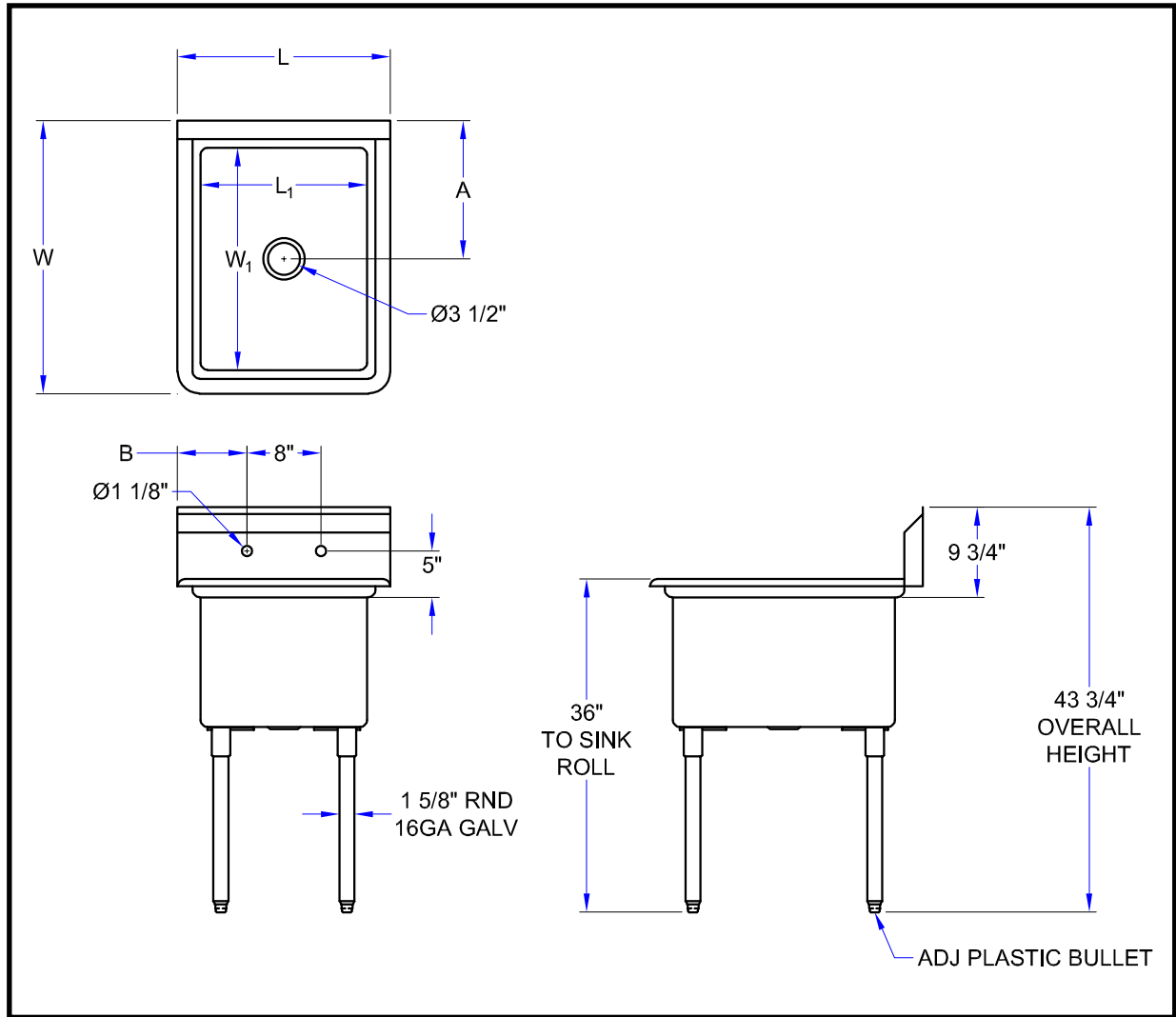
14" DEEP - 1 COMP SINK - 18GA

MODEL	BOWL SIZE (W, X L, X D)	QTY
E1S8-15-14	15" X 15" X 14"	
E1S8-1824-14	24" X 18" X 14"	
E1S8-24-14	24" X 24" X 14"	



E1S8-1824-14

DETAILED SPECIFICATIONS



12" DEEP - 18GA - "E1S8" 1 COMPARTMENT "E-SERIES" SERIES SINKS

MODEL	L	W	L1	W1	A	B	WT (LBS)
E1S8-1620-12	21"	25-1/2"	16"	20"	12-15/16"	6-1/2"	36
E1S8-18-12	23"	23-1/5"	18"	18"	11-15/16"	7-1/2"	36

14" DEEP - 18GA - "E1S8" 1 COMPARTMENT "E-SERIES" SERIES SINKS

MODEL	L	W	L1	W1	A	B	WT (LBS)
E1S8-15-14	20"	20-1/2"	15"	15"	10-7/16"	6"	31
E1S8-1824-14	23"	29-1/2"	18"	24"	14-15/16"	7-1/2"	42
E1S8-24-14	29"	29-1/2"	24"	24"	14-15/16"	10-1/2"	48

SOME UNITS SHIP UNASSEMBLED FOR REDUCED SHIPPING COST. ALL DIMENSIONS ARE TYPICAL. TOLERANCE +/- .500"
 John Boos & Co. is constantly engaged in a program of improving products and therefore reserves the right to change specifications without prior notice.



3601 S. Banker St. • Effingham, IL 62401 • PO BOX 609 • quotes@johnboos.com

110818



www.johnboos.com

163